

Accessory for Micro Filter



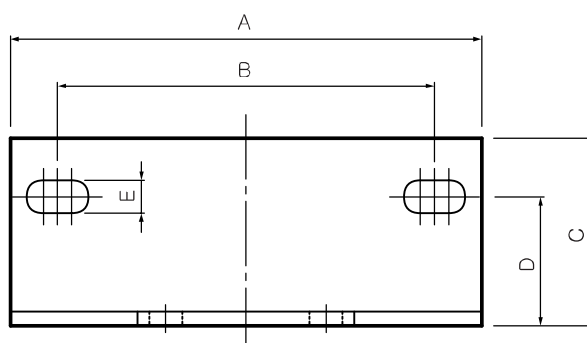
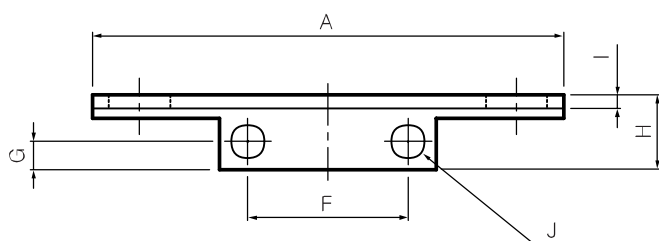
BRACKET



B250

B350

B550



Model	A	B	C	D	E	F	G	H	I	J	Applicable model
B250	84	66	30	22	6	28	4	11	2	φ6	250 Series (SAFF, AFL, AM, AMD, AMH, AMG)
B350	100	80	35.5	23	7	34	6	16	3	φ7	350 Series (SAFF, AFL, AM, AMD, AMH, AMG)
B450	110	90	38.2	28.2	9	50	6	18.2	3.2	φ9	450 Series (SAFF, AFL, AM, AMD, AMH, AMG)
B550	130	100	44	34	9	60	7	20.5	4	φ9	550 Series (SAFF, AFL, AM, AMD, AMH, AMG)
B650	200	150	60	46	13	76	10	34	6	φ13	650 Series (SAFF, AFL, AM, AMD, AMH, AMG)
B850	200	150	60	46	13	76	10	34	6	φ13	850 Series (SAFF, AFL, AM, AMD, AMH, AMG)

ACCESSORY

Accessory for Micro Filter



● SIZE OF ELEMENTS

Model	Style	Dimensions		Brief Drawing	Remarks
		A	B		
Filter	SAF 2000M	28	15.6		
	SAF 3000	34	24		
	SAF 3000M	30	24		
	SAF 4000M	60	30		
	SAF 6000M	76	43		
Modular type Mist separator	SAFM 2000	37.6	23		
	SAFM 3000	48	29		
	SAFM 4000	73	38		
Modular type Micro mist separator	SAFD 2000	37.6	23		
	SAFD 3000	48	29		
	SAFD 4000	73	38		
Mist separator	SAM 250	52.5	58		SAMH and SAFL have as same range of size as Mist separators
	SAM 350	77	70		
	SAM 450	87	82		
	SAM 550	117	95		
	SAM 650	150	130		
	SAM 850	260	130		
Micro mist separator	SAMD 250	52.5	58		
	SAMD 350	77	70		
	SAMD 450	87	82		
	SAMD 550	117	95		
	SAMD 650	150	130		
	SAMD 850	260	130		
Drain separator	SAMG 250	52.5	58		
	SAMG 350	77	70		
	SAMG 450	87	82		
	SAMG 550	117	95		
	SAMG 650	150	130		
	SAMG 850	260	130		

AutoDrain kits (AD)



◆ SAD300~400 Series

- Convenient use by attached one-touch fitting.
- Auto drain for both automatic and manual operation.
- Diverse port size of a drain hose makes your choice various.

● How to order

SAD 400 F - - M16

① Auto Drain

② Body Size
300
400

③ A method for drain
F - Float type

④ Connection for Automatic drain
Nil - One-touch fitting : $\Phi 6\text{mm}$
B - Nipple : Rc(PT) 1/8

⑤ Thread size & material
M16 - $\Phi 16\text{mm}$ & acetal
M16Br - $\Phi 16\text{mm}$ & brass
M14Br - $\Phi 14\text{mm}$ & brass

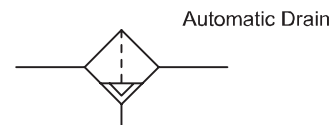


SAD300



SAD400

● Symbol



● Specification

Fluid: Compressed air (Lubricated or non Lubricated)
 Maximum Pressure: 15 kgf/cm²
 Recommended Operating Pressure: 1.0 to 9.9 kgf/cm²
 Operating Temperature: 1.5 °C to 60 °C
 Automatic Drain Connection: 6mm / Rc(PT) 1/8"
 Drain Operation
 Pressure to close drain: Greater than 0.5 kgf/cm²
 Pressure to open drain: Less than 0.3 kgf/cm²

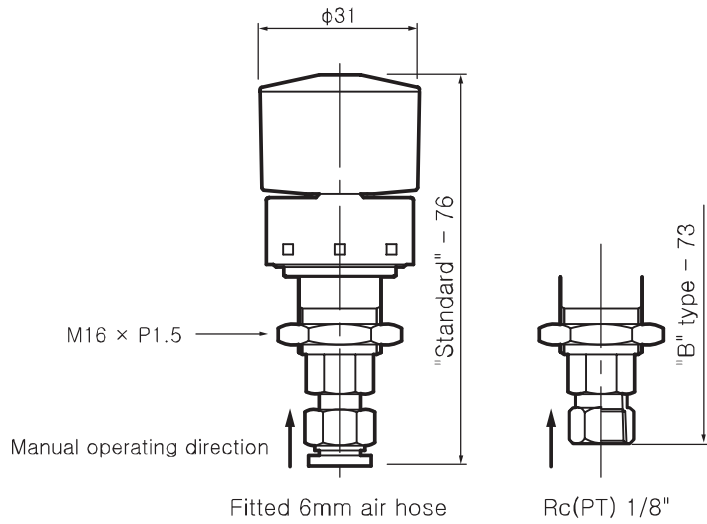
● Materials

Manual pusher : Br
 Cylinder, Cover and Buoy : acetal
 Gaskets: NBR
 Packing and Valve : NBR
 Spring: stainless steel
 PIF collet: Zn plated diecasting
 Rubber ring - NBR

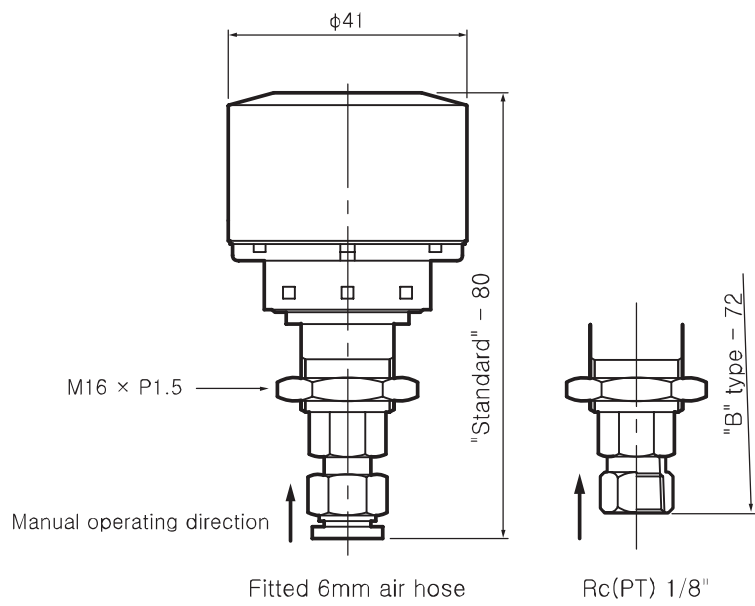
SAD

● DIMENSIONS(mm)

SAD 300



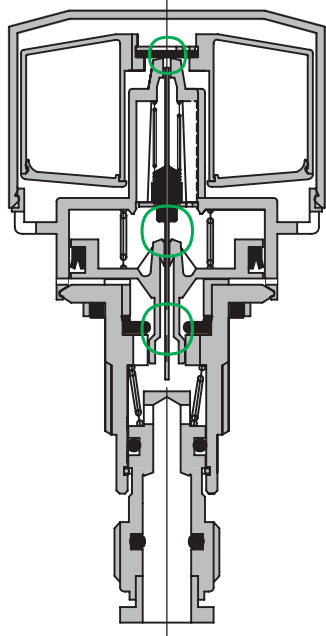
SAD 400



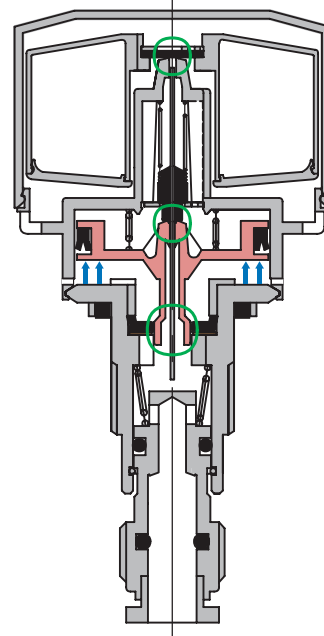
SAD

Working principle

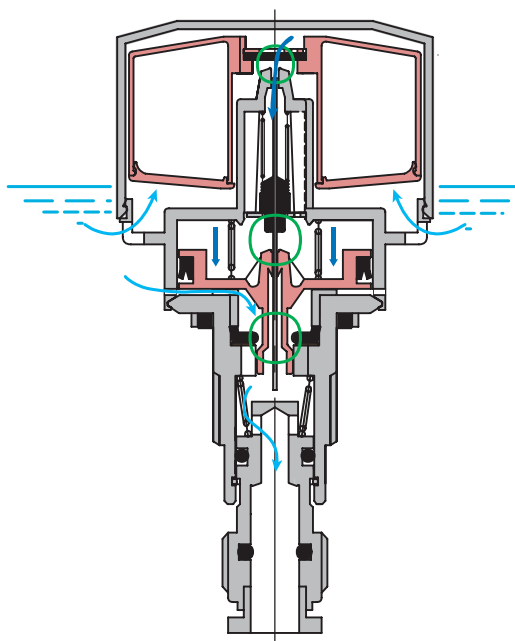
① When the pressure inside the bowl is released:



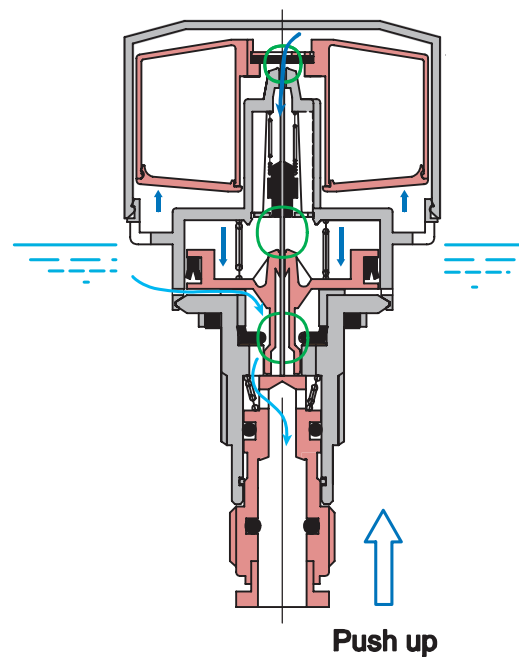
② When pressure is applied inside the bowl



③ When there is an accumulation of condensate in the bowl:



④ When manual drain is used:



Accessory for Modular type



GAUGE

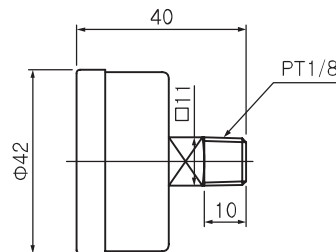
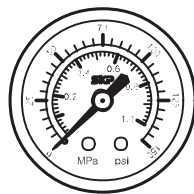


G50-10-02

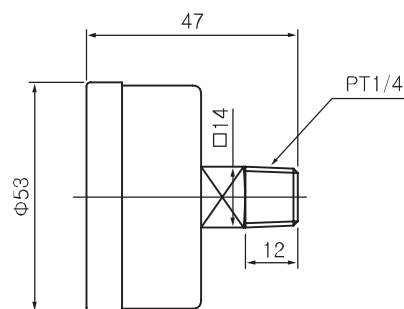
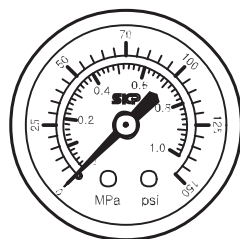


G40-10-01

G40-10-01



G50-10-02



Model	Pressure bounds	Applicable model	Weight(g)
G40-10-01	0~1(MPa) · 0~150(psi)	SAR2000, SAW2000, SAWD2000, SAWM2000 SAU2000, 2010, 2020, 2030, 2040, 2050, 2060 SAR3000, SAW3000, SAWD3000, SAWM3000 SAU3000, 3010, 3020, 3030, 3040, 3050, 3060	72
G50-10-02	0~1(MPa) · 0~150(psi)	SAR4000, SAW4000, SAWD4000, SAWM4000 SAR6000, SAW6000, SAWD6000, SAWM6000 SAU4000, 4010, 4020, 4030, 4040, 4050, 4060 SAU6000, 6010	128

Accessory for Modular type



● BRACKET for SAF · SAL



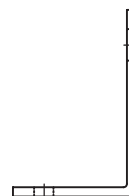
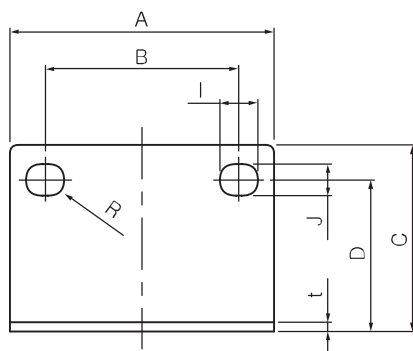
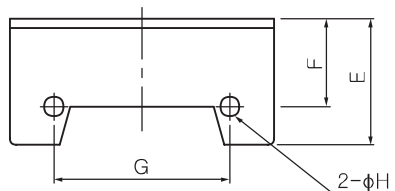
B400



B300



B200

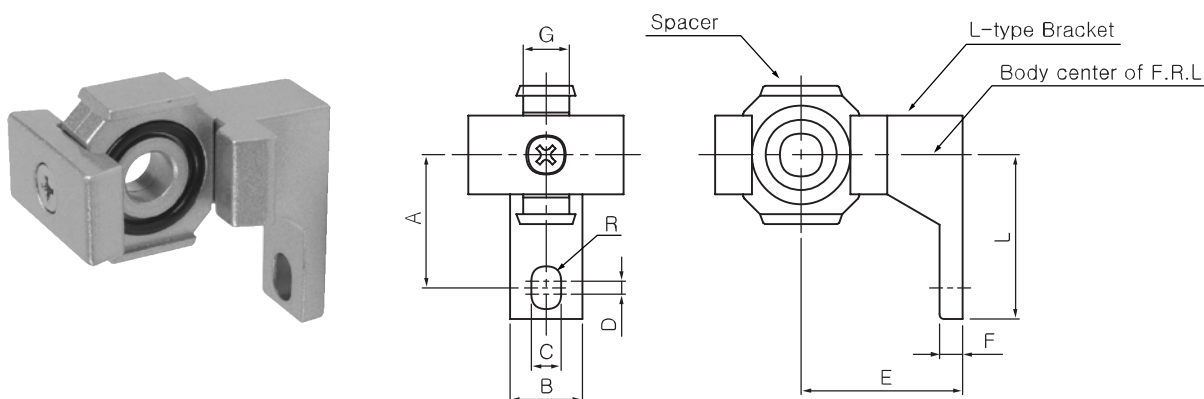


Model	A	B	C	D	E	F	G	H	I	J	R	t	Bolt size	Applicable model
B200	38	27	14.5	8	14.5	11	30	4.5	6	4.5	2.25	2	M4×8L	SAF2000, SAL2000 SAFM 2000, SAFD2000
B300	53	40	39	32	26.5	19	35	4.5	8	6.5	3.25	2.3	M4×8L	SAF3000, SAL3000 SAFM3000, SAFD3000
B400	70	54	48	38	28.5	20	47	5.5	10	8.5	4.25	2.3	M5×10L	SAF4000, SAL4000 SAFM4000, SAFD4000
B600	90	66	64	52	43	30	65	6.5	13	11	5.5	3.2	M6×10L	SAF6000, SAL6000 SAW6000 SAWM6000, SAWD6000

Accessory for Modular type

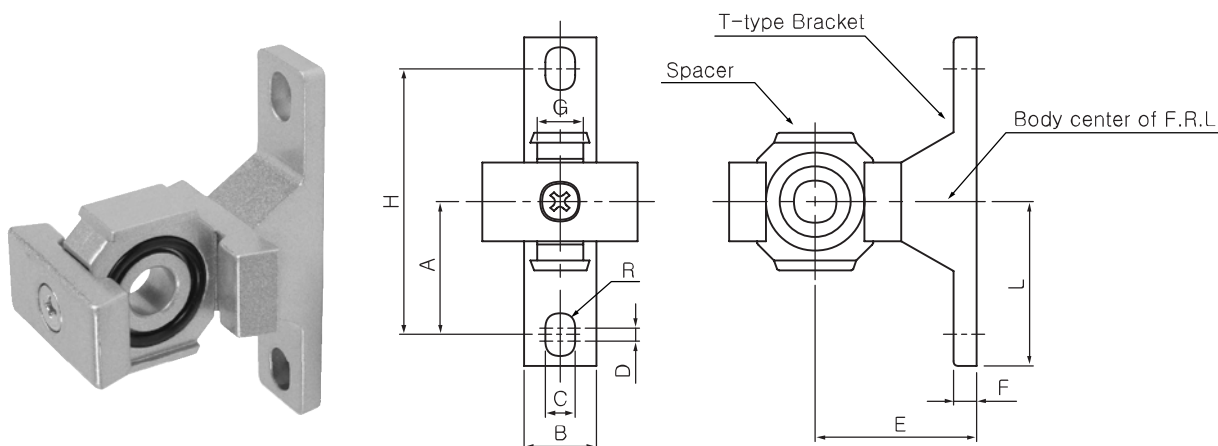


● L type BRACKET – With spacer



Model	A	B	C	D	E	F	G	R	L	Applicable model
B310L	35	16	7	4	41	7	11	3.5	33	SAU3000M, 3030M, 3050M, 3060M
B410L	40	22	9	4	50	7	14	4.5	50	SAU4000M-04, 4030M-04, 4050M-04, 4060M-04
B510L	40	22	8.5	4	50	7	14	4.25	50	SAU4000M-06, 4030M-06, 4050M-06, 4060M-06
B610L	50	24	12	4	70	10	15	6	63	SAU6000M

● T type BRACKET – With spacer



Model	A	B	C	D	E	F	G	H	R	L	Applicable model
B210T	24	14	5.5	3	30	5	12	48	2.75	33	SAU2000M, 2010M~2060M
B310T	35	16	7	4	41	7	11	70	3.5	45	SAU3010M, 3020M, 3040M
B410T	40	22	9	4	50	7	14	80	4.5	50	SAU4010M, 4020M, 4040M
B610T	50	24	12	4	70	10	15	100	6	63	SAU6010M

Accessory for Modular type



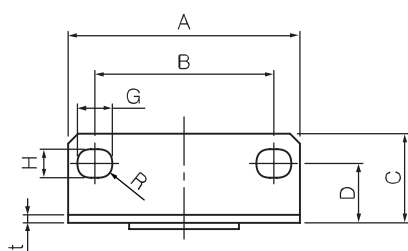
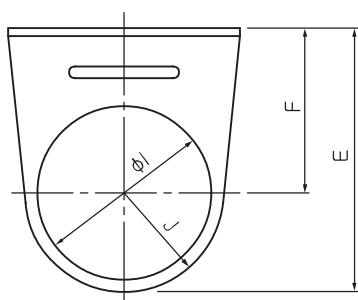
● BRACKET for SAR · SAW



B220

B320

B420



ACCESSORY

Model	A	B	C	D	E	F	G	H	ϕI	J	R	t	Applicable model
B220	37	27	20	15	44	25	6	4.5	30.5	16.5	2.25	2	SAR2000, SAW2000 SAWM2000, SAWD2000
B320	53	40	22	13.5	67	41	8	6.5	42.5	25	3.25	2.3	SAR3000, SAW3000 SAWM3000, SAWD3000
B420	70	54	27	18	80	50	10.5	8.5	52.5	30	4.25	2.3	SAR4000, SAR6000 SAW4000, SAWM4000 SAWD4000